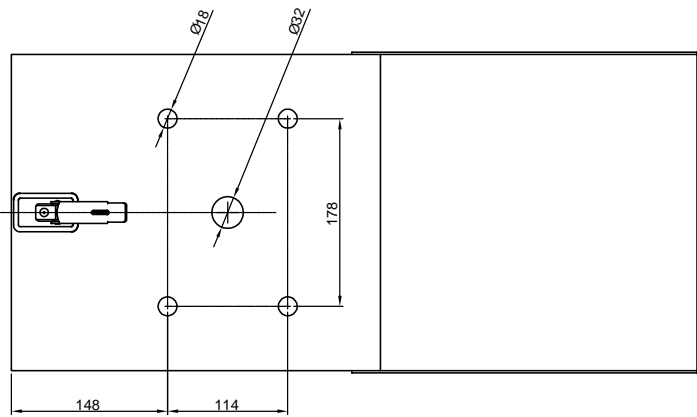
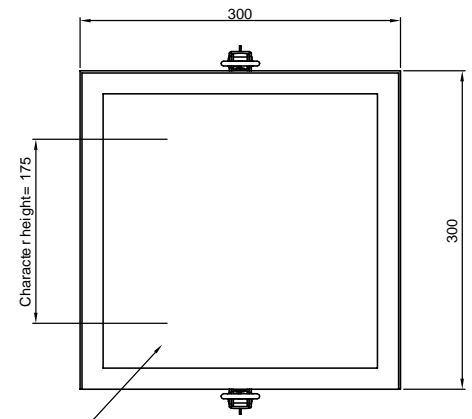
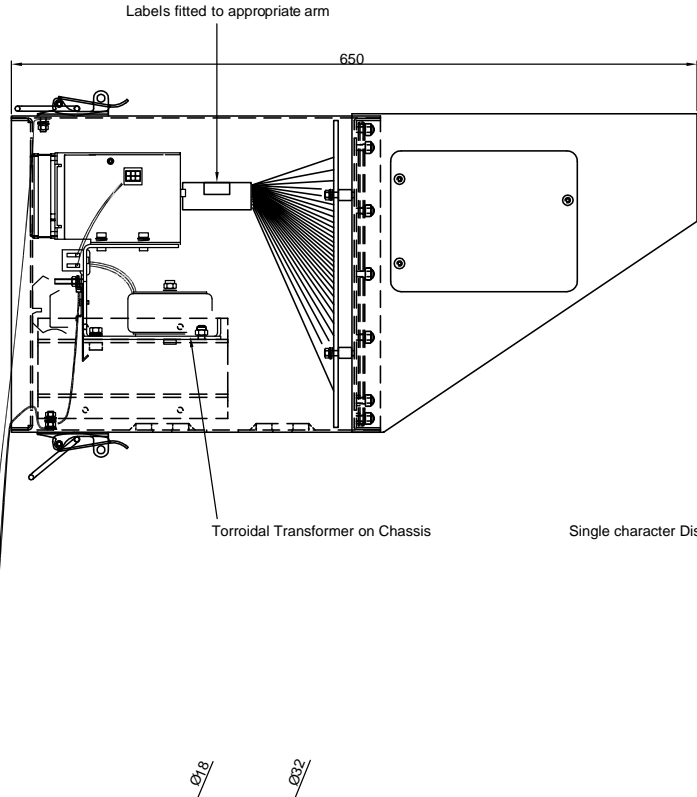
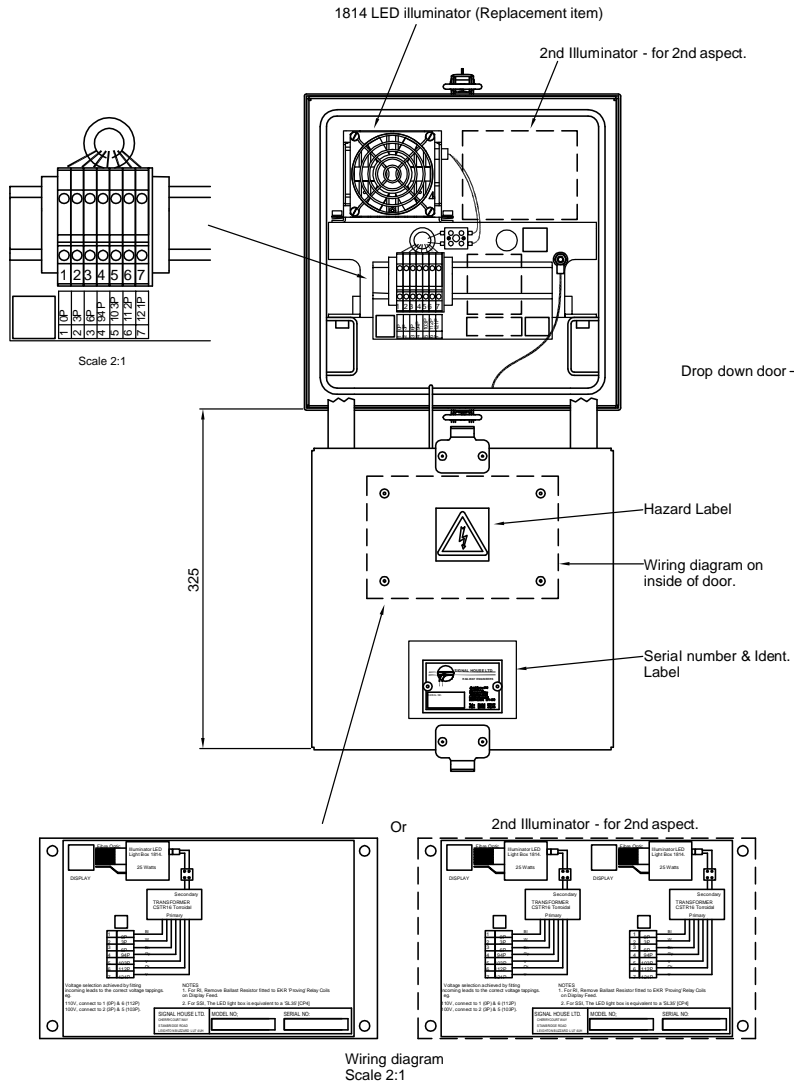



DO NOT SCALE



Single character Display

Weight: less than 25Kg

Mounting holes at bottom only



Tel : (01525) 377477
 Fax : (01525) 850969
 Email: sales@signalhouse.co.uk

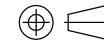
Signal House Ltd
 Signal House
 Cherrycourt Way
 Stanbridge Road
 Leighton Buzzard
 Bedfordshire LU7 4UH

SALES DATA

CONFIDENTIAL - THIS PRINT IS RELEASED TO YOU ON THE STRICT CONDITION THAT NONE OF THE DATA HEREON SHALL BE DIVULGED, REPRODUCED OR MADE AVAILABLE TO ANY THIRD PARTY, UNLESS WITH OUR WRITTEN CONSENT.

Drawn PB Date 18/1/11
 Checked Date

3rd Angle Projection



Title Miniature tunnel Stencil, single character with LED illuminator

Dimensions are in mm, unless specified otherwise.

Drwg no. SD X10600-xxx

Issue A

Issue Drawing Revision Form no. Name Date