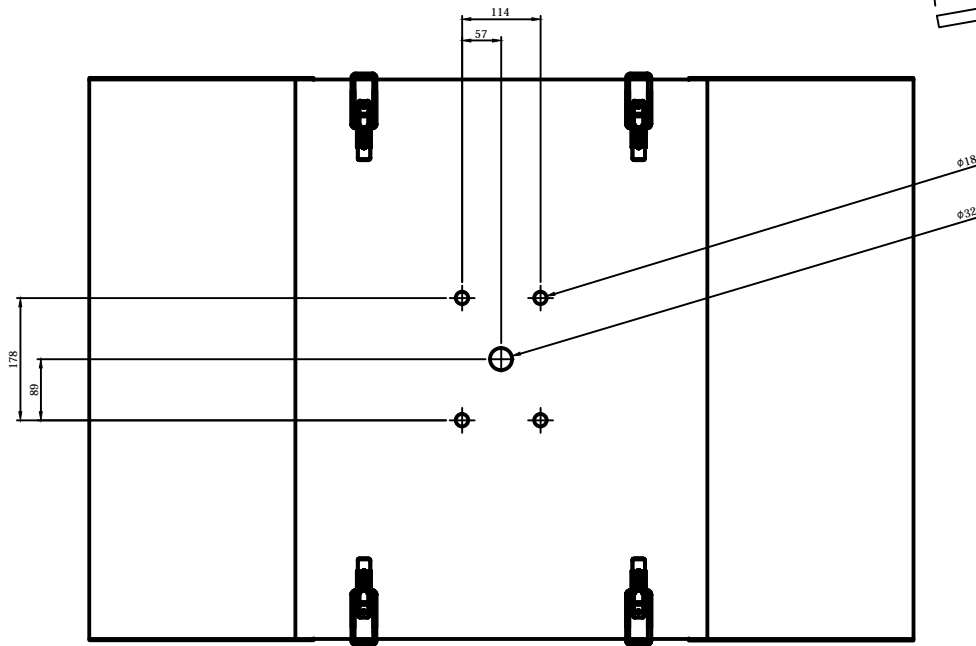
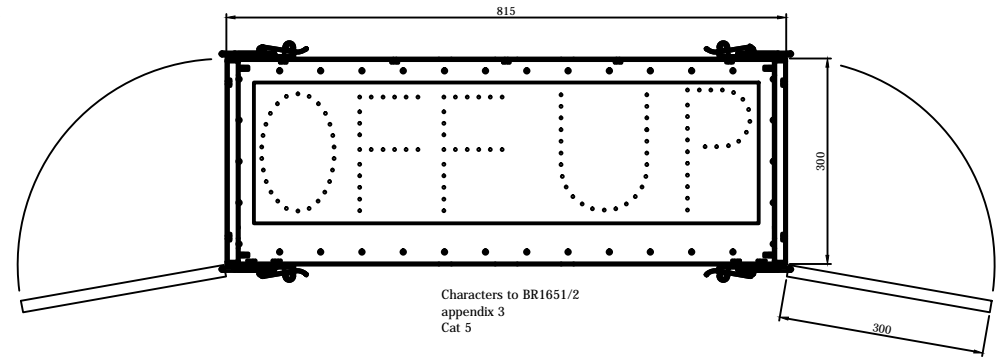
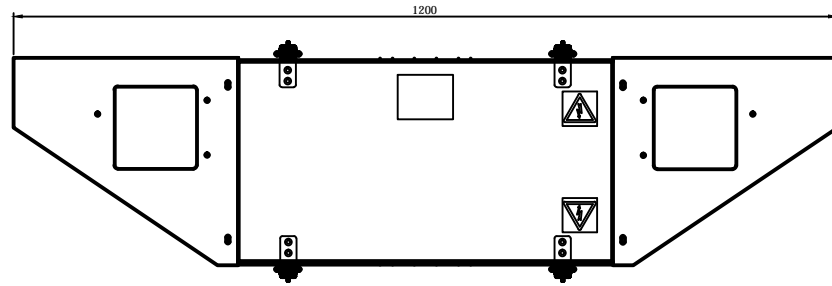
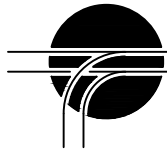


DO NOT SCALE



Weight: less than 60kg



Tel : (01525) 377477
 Fax : (01525) 850999
 Email: sales@signalhouse.co.uk

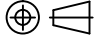
Signal House Ltd
 Signal House
 Cherrycourt Way
 Staunbridge Road
 Leighton Buzzard
 Bedfordshire LU7 4UH

SALES DATA

CONFIDENTIAL -
 THIS PRINT IS RELEASED TO YOU ON THE STRICT
 CONDITION THAT NONE OF THE DATA HEREON SHALL
 BE DIVULGED, REPRODUCED OR MADE AVAILABLE TO
 ANY THIRD PARTY, UNLESS WITH OUR WRITTEN
 CONSENT.

Drawn PB Date 14/3/14
 Checked Date

3rd Angle Projection



Title **LED MARI (Stencil)
815 indicator**

Dimensions are in mm, unless specified otherwise.

Drwg no. **SD X12300** Issue **A**

Issue Drawing Revision Form no. Name Date

A B C D E F G H